



2017 MAYOR'S CUP REGATTA SAILING INSTRUCTIONS

1. RULES

The regatta shall be governed by the rules as defined in the US Sailing Racing Rules of Sailing 2017-2020 and these sailing instructions.

2. ELIGIBILITY

Each boat must carry appropriate insurance, be registered for the race, and be in compliance with State and Federal regulations.

3. IDENTIFICATION

Sail numbers are required. All boats in the Racing and Cruising Divisions are required to fly a flag appropriately designating their class.

4. CHANGES TO INSTRUCTIONS

Any changes in the sailing instructions will be posted at the Mayor's Cup Notice Board at Plattsburgh Boat Basin before 9 AM race day.

5. SAFETY

The skipper has the sole responsibility for the safety of his/her crew and boat. Weather and sea conditions must be evaluated by each skipper who is responsible for determining whether it is safe to participate. Life preservers must be worn at all times in the Multihull Division. The Race Committee will monitor VHF Ch 80.

6. REGISTRATION

In order to facilitate handicap rating, participants must pre-register. Registration will be accepted until 5 PM, Friday, July 7, 2017. Entries in One-Design Classes and boats with current LCPHRF rating may register on the day of the race.

7. ENTRIES

Any sailing vessel may be entered in the Racing, Cruising and Multihull Divisions, provided she satisfies the requirements of that Division. The Race Committee reserves the right to combine classes.

RACING DIVISION

Any monohull vessel rated by or capable of being rated by LCPHRF is eligible to participate in this division. Boats in this division are normally race equipped.

RACING DIVISION	PHRF RATING	CLASS FLAG
A	78 or lower	Green
B	81-126 Displacement <7,500lbs	Orange
Etchells		Orange
Sportboats		Orange
C	81-126 Displacement >7,500lbs	Purple
D	129 or higher	Yellow
J-24		Yellow

CRUISING DIVISION

Any monohull vessel rated by or capable of being rated by LCPHRF is eligible to participate in this division. They are permitted to race using only the headsail allowed within the boat's PHRF Rating.

This disallows spinnakers, bloopers, flashers or other specialty sails. This division is designed for those boats which do not normally race, are not race equipped or have insufficient crew for Racing Division. The Race Committee reserves the right to combine classes.

CRUISING DIVISION	PHRF RATING	CLASS FLAG
A	102 or lower*	White
B	105-138*	Black
C	141-183*	Pink
D	186-228*	Blue
E	231 or higher*	Light Blue

* The number of classes and class splits may be changed in order to obtain optimal class sizes.

PORTSMOUTH MULTI-HULL DIVISION

Multi-hull boats capable of being rated by the Portsmouth system are eligible to participate in this division. The class flag is Code Flag F. There will be 1 class. LIFE JACKETS MUST BE WORN

8. SCHEDULE

There will be no skipper's meeting. The Race Committee Boat, flying the Race Committee Flag, will leave Plattsburgh Boat Basin at approximately 0815AM and head for the starting area. There will be 1 race for all Divisions. The starting sequence will begin at 10AM.

Races will be started in accordance with the 2017-2020 Racing Rules of Sailing, Rule 26. The class flag for each class will be hoisted 5 minutes prior to the start for the class. The preparatory flag (Code Flag P) will be hoisted 4 minutes prior to the start for the class. The preparatory flag will be removed one minute prior to the start for the class. The class flag(s) will be removed at the start.

Starting Sequence (10AM):

Time	Event	Division	Starting Flag	Sound
00:00	Warning	Multihull	Code Flag F up	1 sound
00:01	Preparatory	Multihull	Code Flag P up	1 sound
00:04	One-minute	Multihull	Code Flag P down	1 long sound
00:05	Start	Multihull	Code Flag F down	1 sound
10:10	Warning	Racing Classes D & J-24	Class Flag Yellow up	1 sound
00:11	Preparatory	Racing Classes D & J-24	Code Flag P up	1 sound
00:14	One-minute	Racing Classes D & J-24	Code Flag P down	1 long sound
00:15	Start Warning	Racing Classes D & J-24 Racing Classes C,B, Etchells & Sportboats	Class Flag Yellow down Class Flags Purple & Orange up	1 sound
00:16	Preparatory	Racing Classes C,B, Etchells & Sportboats	<i>Code Flag P up</i>	1 sound
00:19	One-minute	Racing Classes C,B, Etchells & Sportboats	Code Flag P down	1 long sound
00:20	Start Warning	Racing Classes C,B, Etchells & Sportboats Racing Class A	Class Flags Purple & Orange down Class flag Green up	1 sound
00:21	Preparatory	Racing Class A	Code Flag P up	1 sound
00:24	One-minute	Racing Class A	Code Flag P down	1 long sound
00:25	Start	Racing Class A	Class Flag Green down	1 sound
00:30	Warning	Cruising Class A	Class Flag White up	1 sound
00:31	Preparatory	Cruising Class A	Class Flag P up	1 sound
00:34	One-minute	Cruising Class A	Class Flag P down	1 long sound
00:35	Start Warning	Cruising Class A Cruising Classes B & C	Class Flag White down Class Flags Black & Pink up	1 sound
00:36	Preparatory	Cruising Classes B & C	Code Flag P up	1 sound
00:39	One-minute	Cruising Classes B & C	Code Flag P down	1 long sound
00:40	Start Warning	Cruising Classes B & C Cruising Classes D & E	Class Flags Black & Pink down Class Flags Blue & Light Blue up	1 sound
00:41	Warning	Cruising Classes D & E	Class Flag P up	1 sound
00:44	Preparatory	Cruising Classes D & E	Class Flag P down	1 long sound
00:45	Start	Cruising Classes D & E	Class Flags Blue & Light Blue down	1 sound

9. POSTPONEMENTS

Postponements will be signalled by Code Flag AP and two horns. The Code Flag AP shall be lowered and one gun/horn fired one minute prior to the next signal.

10. ABANDONMENT

Abandonment will be signalled by Code Flag N. When flown individually, it indicates abandonment for all classes. When flown with Class Flag(s) indicates cancellation of the indicated Class(es) only. In the event of abandonment for all classes, the race will be rescheduled for the following day, Sunday, July 9, 2017.

11. CHECK-IN

All participating boats shall sail by the Race Committee Boat prior to the start, on starboard tack, hailing: name of boat, sail number and class

12. STARTING AREA

The starting area is defined as a rectangular box whose length extends 150 feet beyond each end of the start line and whose width is 150 feet above and below the starting line and its extensions.

Boats entering the starting area before their class sequence has been signaled may be disqualified for failing to keep clear.

13. INDIVIDUAL RECALLS

Boats crossing the line prior to the start must return to start properly. An attempt will be made by the Race Committee to notify premature starters by hailing the early-start vessel's sail number while displaying Code Flag X and sounding one horn.

14. GENERAL RECALL

General recalls will be signalled by displaying Code Flag "First Repeater" and two horns. The next signal will be preparatory for the division recalled. The starts for the succeeding division will be postponed accordingly.

15. TIME LIMIT

Boats must finish before 4 PM in order to be scored.

16. PROTESTS

A Protest shall be indicated at the time of infraction by notification of the other boat and prominently displaying the protest flag (Code Flag B), or as a minimum, a piece of red cloth not less than 20 square inches nor less than two inches on the smallest side. However, if at the time of this alleged infraction, the protested boat executes a 720° turn, the penalty for the infraction will be considered fulfilled. The Race Committee reserves the right to add additional penalties for gross infringements of the rules. Upon finishing, when the 720° option has not been used, or a gross infringement has occurred, the protesting boat will notify the Race Committee Boat immediately upon finishing of the name and sail number of the vessel protested. Protests shall be written on forms available at the Rotary Hospitality Desk at Plattsburgh Boat Basin and lodged within 30 minutes after the finish of the protesting boat. The Protest Committee will hear protests as soon as possible. The Protest Committee reserves the right to wait no longer than 5 minutes before starting the hearing in the absence of the protestor and or protestee.

17. COURSES

Marks will be yellow shapes. The first leg will be to windward. Actual legs of course may vary in length, according to wind and water conditions. All marks may not have been set at the time of the start. The Start/Finish line will be located in the race course, between the windward mark and the leeward mark. The Committee Boat may have a buoy or a tender attached to its stern. The buoy or tender are parts of the mark. **After the start, no boat shall cross the Start/Finish line except when finishing. A boat failing to observe this rule will be disqualified.** When not starting or finishing, you must pass on either side of the Start/Finish line.

RACING DIVISION COURSE:

Start: Between Race Committee Boat and Start/Finish mark

1st Mark: Mark W to port

2nd Mark: Mark G to port

3rd Mark: Mark L to port

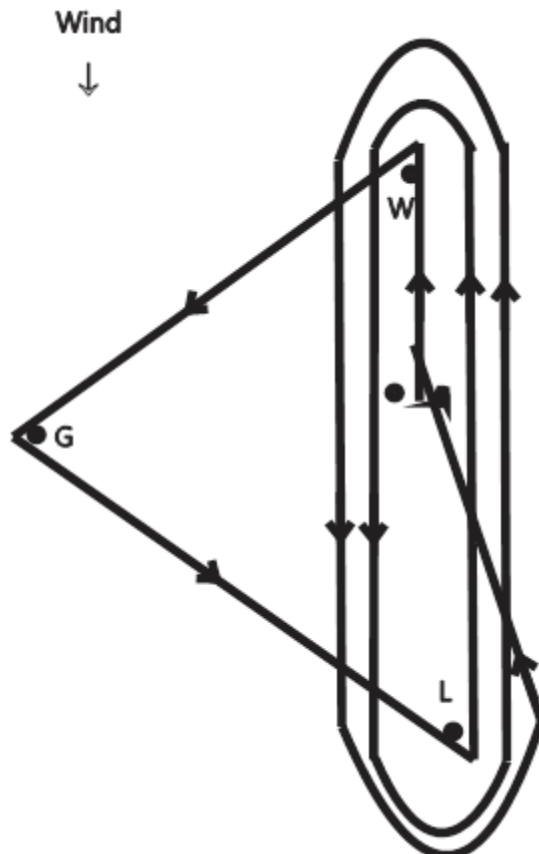
4th Mark: Mark W to port

5th Mark: Mark L to port

6th Mark: Mark W to port

7th Mark: Mark L to port

Finish: Between Race Committee Boat and Start/Finish mark



The marks will be yellow

Except when starting or finishing do not cross the Start/Finish line.

MULTIHULL DIVISION COURSE

Start: Between Race Committee Boat and Start/Finish mark

1st Mark: Mark W to port

2nd Mark: Mark G to port

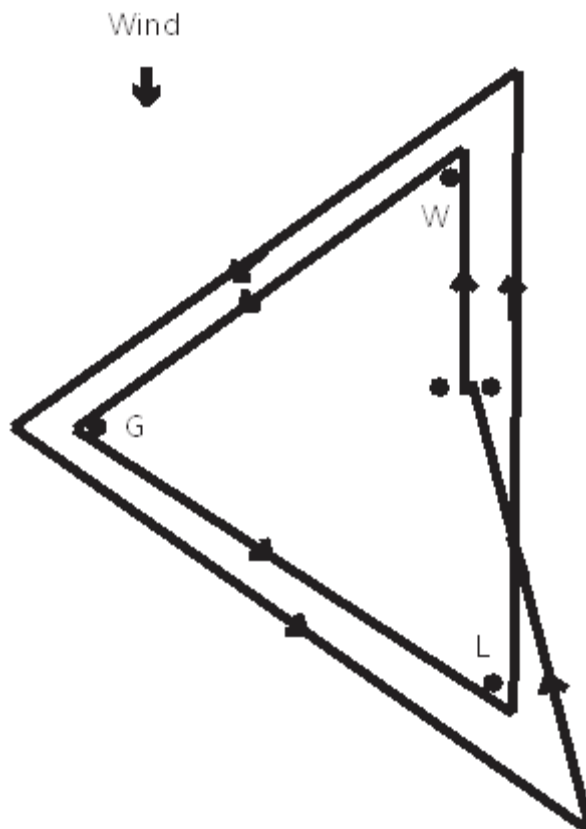
3rd Mark: Mark L to port

4th Mark: Mark W to Port

5th Mark: Mark G to Port

6th Mark: Mark L to Port

Finish: Between Race Committee and Start/Finish Mark



The marks will be yellow.

Except when starting or finishing do not cross the Start/Finish line.

CRUISING DIVISION COURSE

Start: Between Race Committee Boat and Start/Finish mark

1st Mark: Mark W to port

2nd Mark: Mark G to port

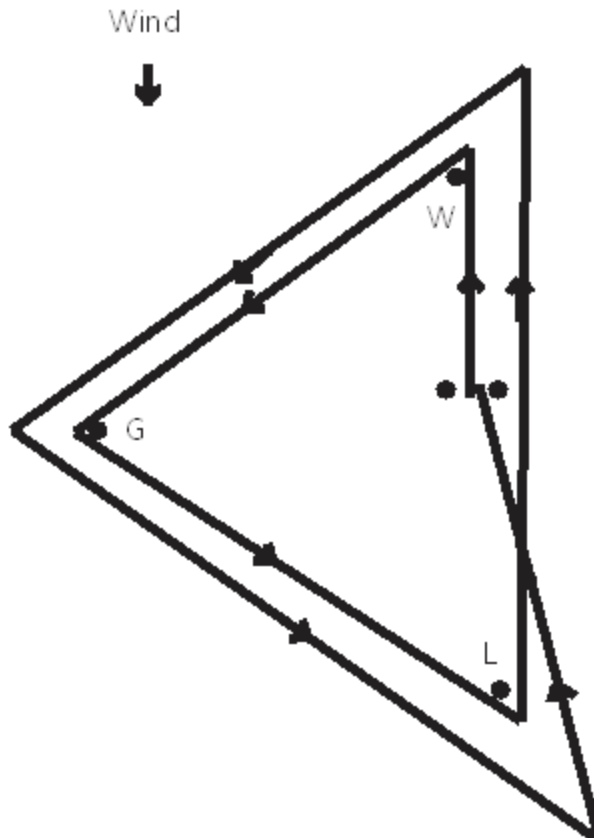
3rd Mark: Mark L to port

4th Mark: Mark W to port

5th Mark: Mark G to port

6th Mark: Mark L to port

Finish: Between Race Committee Boat and Start/Finish Mark



The marks will be yellow.

Except when starting or finishing do not cross the Start/Finish line.

18. SHORTENING COURSE

The Race Committee may, at its discretion, shorten the course at any mark prior to the first boat crossing that mark. A Race Committee Boat will establish its position at said mark by displaying Code Flag "S" and sounding two signals.

The race may be shortened at the start/finish line by flying a "Shortened Course flag" accompanied by a "Change of Course" flag at the preceding mark.
This modifies Rule 33 of the RRS."

19. CHANGE OF COURSE AFTER THE START

When changing the course after the start, the Race Committee will lay a new mark as soon as practicable. Any mark to be rounded after rounding the new mark may be relocated to maintain the original course configuration. A change of course will be signalled near the mark beginning the leg being changed by a Race Committee boat that will display Code flag "C". The approximate compass bearing and distance to the new mark will be either a verbal or written command. A horn will sound periodically. The change will be signalled before the leading yacht has begun the leg, although the new mark may not be in position.

20. RETIREMENT

A boat that retires from the race shall notify the Race Committee.

21. SCORING

Scoring is by Time-on-Time PHRF in the Racing Division and by Portsmouth Handicap System in the Multihull Division.